

Pneumatic Thermostats

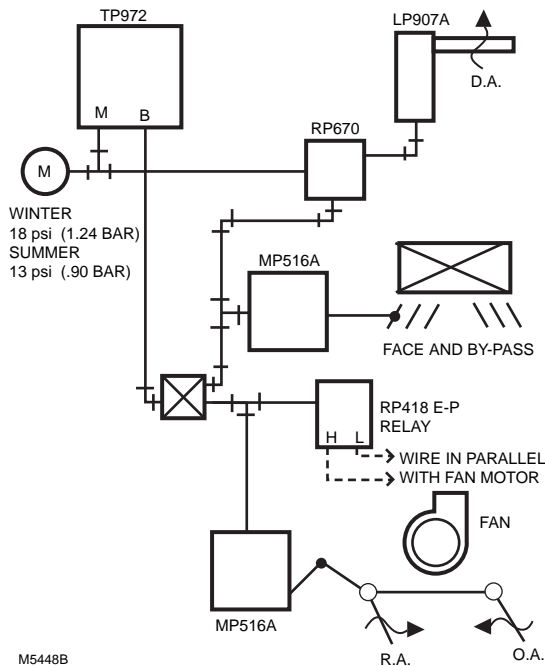
LP907 Airstream Insertion Pneumatic Thermostat



One-pipe, single setpoint, pneumatic thermostat used to provide proportional control of pneumatic valves and damper actuators in heating and air conditioning systems. Commonly used as discharge controllers for unit ventilators.

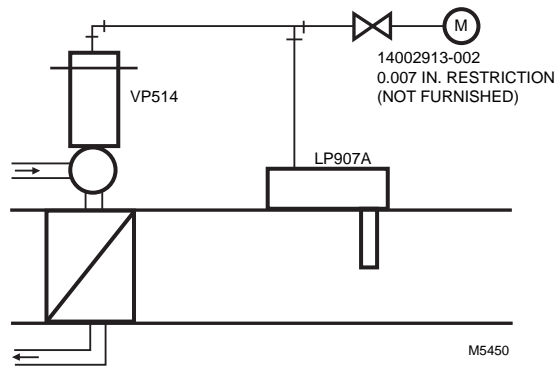
- Rod and tube insertion sensing element.
- Wide throttling range.
- Gage tee and tank valve facilitate checking line pressures.

Typical Heating/Cooling Application



M5448B

Typical Duct Mounted Application



Application Type: Low Limit controller

Dimensions, Approximate: 5 7/16 in. high x 1 1/16 in. wide x 2 1/4 in. deep (138 mm high x 27 mm wide x 57 mm deep)

Airflow Usage: 0.011 scfm (5.2 mL/s)

Air Connections: Barb fittings 1/4 in. (6 mm) poly tubing

Number of Pipes: 1

Mounting: Insertion with locknut on boss of insertion shank

Operating Temperature: 40 F to 140 F (4 C to 60 C)

Storage Temperature: 150 F maximum (66 C maximum)

Remote Bulb: Yes

Sensor Element: Invar rod and seamless brass tube, 18 3/4 in. (476 mm) long and 11/32 in. (9 mm) diameter

Maximum Operating Pressure: 25 psi (170 kPa)

Includes: Fittings for mounting on sheet metal duct. Order restrictor separately.

Accessories:

CCT2085-Pneumatic Fitting - Gauge Adapter fits any standard 1/8 in. NPT gauge,

14002913-002-.007 in. Red in-line Filtered Restriction Assembly; Inlet: 1/4 in., Outlets: 1/4 in. Order in Quantities of 10

14002913-003-External Restriction Assembly. 0.007 in. Restriction, Red, Inlet 1/4 in; Outlet 1/4 in. and 5/32 in.

Product Number	Action	Setpoint	Setpoint Temperature Range		Capacity	Throttling Range	
			(F)	(C)		(F)	(C)
LP907A1002/U	Direct Acting	Single	40 F to 140 F	4 C to 60 C	Low	10 F to 70 F	6 C to 39 C
LP907A1044/U	Direct Acting	Single	40 F to 140 F	4 C to 60 C	Low	5 F to 35 F	3 C to 19 C